



Комплексные решения для построения сетей

Инструкция

**составления профилей конфигураций ACS
для абонентских устройств NTP**

для версий R2.2 LTP-8X, NTP-2, NTP-RG

1. Пример рабочего профиля для модели S-VLAN устройства NTP-RG-1402G-W.

Данный профиль назначается на устройство NTP-RG-1402G-W, работающее по модели “VLAN на услугу”, в которой:

- услуга “Internet” предоставляется в режиме PPPoE во VLAN 2149;
- услуга “VoIP” работает в режиме Bridge во VLAN 3149;
- услуга “Multicast” работает в режиме IPoE во VLAN 26;
- услуга “STB” работает в режиме Bridge во VLAN 2349.
- услуга “VPN” работает в режиме Bridge во VLAN 100.

На примере данного профиля показаны этапы построения архитектуры конфигурируемого устройства и подробно описано назначение каждого правила для общего понимания принципов и требований к построению профиля. Также описаны возможности создания других конфигураций на базе приведенного профиля.

1.1 Создание профиля

```
set property "InternetGatewayDevice.X_BROADCOM_COM_EthernetSwitch.EnableVirtualPorts" "TRUE"
set property "InternetGatewayDevice.Layer2Bridging.Bridge.1.BridgeEnable" "TRUE"
set property "InternetGatewayDevice.Layer2Bridging.Bridge.1.BridgeName" "Default"
set property "InternetGatewayDevice.Layer2Bridging.Bridge.2.BridgeEnable" "TRUE"
set property "InternetGatewayDevice.Layer2Bridging.Bridge.2.BridgeName" "VoIP"
set property "InternetGatewayDevice.Layer2Bridging.Bridge.3.BridgeEnable" "TRUE"
set property "InternetGatewayDevice.Layer2Bridging.Bridge.3.BridgeName" "STB"
set property "InternetGatewayDevice.Layer2Bridging.Bridge.4.BridgeEnable" "TRUE"
set property "InternetGatewayDevice.Layer2Bridging.Bridge.4.BridgeName" "VPN"
set property "InternetGatewayDevice.Layer2Bridging.Filter.1.FilterEnable" "TRUE"
set property "InternetGatewayDevice.Layer2Bridging.Filter.1.FilterBridgeReference" "0"
set property "InternetGatewayDevice.Layer2Bridging.Filter.1.FilterInterfaceName" "eth0"
set property "InternetGatewayDevice.Layer2Bridging.Filter.2.FilterEnable" "TRUE"
set property "InternetGatewayDevice.Layer2Bridging.Filter.2.FilterBridgeReference" "0"
set property "InternetGatewayDevice.Layer2Bridging.Filter.2.FilterInterfaceName" "eth1"
set property "InternetGatewayDevice.Layer2Bridging.Filter.3.FilterEnable" "TRUE"
set property "InternetGatewayDevice.Layer2Bridging.Filter.3.FilterBridgeReference" "2"
set property "InternetGatewayDevice.Layer2Bridging.Filter.3.FilterInterfaceName" "eth2"
set property "InternetGatewayDevice.Layer2Bridging.Filter.4.FilterEnable" "TRUE"
set property "InternetGatewayDevice.Layer2Bridging.Filter.4.FilterBridgeReference" "3"
set property "InternetGatewayDevice.Layer2Bridging.Filter.4.FilterInterfaceName" "eth3"
set property "InternetGatewayDevice.Layer2Bridging.Filter.5.FilterEnable" "TRUE"
set property "InternetGatewayDevice.Layer2Bridging.Filter.5.FilterBridgeReference" "0"
set property "InternetGatewayDevice.Layer2Bridging.Filter.5.FilterInterfaceName" "wl0"
set property "InternetGatewayDevice.Layer2Bridging.Filter.6.FilterEnable" "TRUE"
set property "InternetGatewayDevice.Layer2Bridging.Filter.6.FilterInterfaceName" "wl0.1"
set property "InternetGatewayDevice.Layer2Bridging.Filter.7.FilterEnable" "TRUE"
set property "InternetGatewayDevice.Layer2Bridging.Filter.7.FilterInterfaceName" "wl0.2"
set property "InternetGatewayDevice.Layer2Bridging.Filter.8.FilterEnable" "TRUE"
set property "InternetGatewayDevice.Layer2Bridging.Filter.8.FilterInterfaceName" "wl0.3"
set property "InternetGatewayDevice.Layer2Bridging.Filter.9.FilterEnable" "TRUE"
set property "InternetGatewayDevice.Layer2Bridging.Filter.9.FilterBridgeReference" "0"
set property "InternetGatewayDevice.Layer2Bridging.Filter.9.FilterInterfaceName" "veip4.1"
set property "InternetGatewayDevice.Layer2Bridging.Filter.10.FilterEnable" "TRUE"
set property "InternetGatewayDevice.Layer2Bridging.Filter.10.FilterBridgeReference" "0"
set property "InternetGatewayDevice.Layer2Bridging.Filter.10.FilterInterfaceName" "ppp0.1"
set property "InternetGatewayDevice.Layer2Bridging.Filter.11.FilterEnable" "TRUE"
set property "InternetGatewayDevice.Layer2Bridging.Filter.11.FilterBridgeReference" "1"
set property "InternetGatewayDevice.Layer2Bridging.Filter.11.FilterInterfaceName" "veip1.1"
set property "InternetGatewayDevice.Layer2Bridging.Filter.12.FilterEnable" "TRUE"
set property "InternetGatewayDevice.Layer2Bridging.Filter.12.FilterBridgeReference" "0"
set property "InternetGatewayDevice.Layer2Bridging.Filter.12.FilterInterfaceName" "veip2.1"
set property "InternetGatewayDevice.Layer2Bridging.Filter.13.FilterEnable" "TRUE"
set property "InternetGatewayDevice.Layer2Bridging.Filter.13.FilterBridgeReference" "2"
set property "InternetGatewayDevice.Layer2Bridging.Filter.13.FilterInterfaceName" "veip3.1"
```

```
set property "InternetGatewayDevice.Layer2Bridging.Filter.14.FilterEnable" "TRUE"
set property "InternetGatewayDevice.Layer2Bridging.Filter.14.FilterBridgeReference" "3"
set property "InternetGatewayDevice.Layer2Bridging.Filter.14.FilterInterfaceName" "veip5.1"
set property "InternetGatewayDevice.LANDevice.1.LANHostConfigManagement.IPInterface.1.Enable" "TRUE"
set property "InternetGatewayDevice.LANDevice.1.LANHostConfigManagement.IPInterface.1.IPInterfaceIPAddress" "192.168.1.1"
set property "InternetGatewayDevice.LANDevice.1.LANHostConfigManagement.DHCPSEnable" "TRUE"
set property "InternetGatewayDevice.LANDevice.1.X_BROADCOM_COM_IgmpSnoopingConfig.Enable" "TRUE"
set property "InternetGatewayDevice.LANDevice.2.LANHostConfigManagement.IPInterface.1.Enable" "TRUE"
set property "InternetGatewayDevice.LANDevice.2.LANHostConfigManagement.IPInterface.1.IPInterfaceIPAddress" "0.0.0.0"
set property "InternetGatewayDevice.LANDevice.2.LANHostConfigManagement.IPInterface.1.IPInterfaceAddressingType" "DHCP"
set property "InternetGatewayDevice.LANDevice.3.LANHostConfigManagement.IPInterface.1.Enable" "TRUE"
set property "InternetGatewayDevice.LANDevice.3.LANHostConfigManagement.IPInterface.1.IPInterfaceIPAddress" "0.0.0.0"
set property "InternetGatewayDevice.LANDevice.3.X_BROADCOM_COM_IgmpSnoopingConfig.Enable" "TRUE"
set property "InternetGatewayDevice.LANDevice.4.LANHostConfigManagement.IPInterface.1.Enable" "TRUE"
set property "InternetGatewayDevice.LANDevice.4.LANHostConfigManagement.IPInterface.1.IPInterfaceIPAddress" "0.0.0.0"
set property "InternetGatewayDevice.WANDevice.5.X_BROADCOM_COM_WANPONInterfaceConfig.Enable" "TRUE"
set property "InternetGatewayDevice.WANDevice.5.WANConnectionDevice.1.WANPPPConnection.1.Enable" "TRUE"
set property "InternetGatewayDevice.WANDevice.5.WANConnectionDevice.1.WANPPPConnection.1.ConnectionType" "IP_Routed"
set property "InternetGatewayDevice.WANDevice.5.WANConnectionDevice.1.WANPPPConnection.1.Name" "veip0"
set property "InternetGatewayDevice.WANDevice.5.WANConnectionDevice.1.WANPPPConnection.1.NATEnabled" "TRUE"
set property "InternetGatewayDevice.WANDevice.5.WANConnectionDevice.1.WANPPPConnection.1.X_BROADCOM_COM_FirewallEnabled" "TRUE"
set property "InternetGatewayDevice.WANDevice.5.WANConnectionDevice.1.WANPPPConnection.1.X_BROADCOM_COM_ConnectionId" "1"
set property "InternetGatewayDevice.WANDevice.5.WANConnectionDevice.1.WANPPPConnection.1.X_BROADCOM_COM_IfName" "ppp0.1"
set property "InternetGatewayDevice.WANDevice.5.WANConnectionDevice.1.WANPPPConnection.1.X_BROADCOM_COM_VlanMux8021p" "0"
set property "InternetGatewayDevice.WANDevice.5.WANConnectionDevice.1.WANPPPConnection.1.X_BROADCOM_COM_VlanMuxID" "2149"
set property "InternetGatewayDevice.WANDevice.5.WANConnectionDevice.3.WANIPConnection.1.Enable" "TRUE"
set property "InternetGatewayDevice.WANDevice.5.WANConnectionDevice.3.WANIPConnection.1.ConnectionType" "IP_Routed"
set property "InternetGatewayDevice.WANDevice.5.WANConnectionDevice.3.WANIPConnection.1.Name" "veip2"
set property "InternetGatewayDevice.WANDevice.5.WANConnectionDevice.3.WANIPConnection.1.X_BROADCOM_COM_IfName" "veip2.1"
set property "InternetGatewayDevice.WANDevice.5.WANConnectionDevice.3.WANIPConnection.1.X_BROADCOM_COM_ConnectionId" "1"
set property "InternetGatewayDevice.WANDevice.5.WANConnectionDevice.3.WANIPConnection.1.X_BROADCOM_COM_VlanMux8021p" "0"
set property "InternetGatewayDevice.WANDevice.5.WANConnectionDevice.3.WANIPConnection.1.X_BROADCOM_COM_VlanMuxID" "26"
set property "InternetGatewayDevice.WANDevice.5.WANConnectionDevice.3.WANIPConnection.1.ExternalIPAddress" "192.168.21.21"
set property "InternetGatewayDevice.WANDevice.5.WANConnectionDevice.3.WANIPConnection.1.SubnetMask" "255.255.255.0"
set property "InternetGatewayDevice.WANDevice.5.WANConnectionDevice.3.WANIPConnection.1.X_BROADCOM_COM_IGMPEnabled" "TRUE"
set property "InternetGatewayDevice.WANDevice.5.WANConnectionDevice.2.WANIPConnection.1.Enable" "TRUE"
set property "InternetGatewayDevice.WANDevice.5.WANConnectionDevice.2.WANIPConnection.1.ConnectionType" "IP_Bridged"
set property "InternetGatewayDevice.WANDevice.5.WANConnectionDevice.2.WANIPConnection.1.Name" "veip1"
set property "InternetGatewayDevice.WANDevice.5.WANConnectionDevice.2.WANIPConnection.1.X_BROADCOM_COM_ConnectionId" "1"
set property "InternetGatewayDevice.WANDevice.5.WANConnectionDevice.2.WANIPConnection.1.X_BROADCOM_COM_IfName" "veip1.1"
set property "InternetGatewayDevice.WANDevice.5.WANConnectionDevice.2.WANIPConnection.1.X_BROADCOM_COM_VlanMux8021p" "0"
set property "InternetGatewayDevice.WANDevice.5.WANConnectionDevice.2.WANIPConnection.1.X_BROADCOM_COM_VlanMuxID" "3149"
set property "InternetGatewayDevice.WANDevice.5.WANConnectionDevice.2.WANIPConnection.1.AddressingType" "DHCP"
set property "InternetGatewayDevice.WANDevice.5.WANConnectionDevice.4.WANIPConnection.1.Enable" "TRUE"
set property "InternetGatewayDevice.WANDevice.5.WANConnectionDevice.4.WANIPConnection.1.ConnectionType" "IP_Bridged"
set property "InternetGatewayDevice.WANDevice.5.WANConnectionDevice.4.WANIPConnection.1.Name" "veip3"
set property "InternetGatewayDevice.WANDevice.5.WANConnectionDevice.4.WANIPConnection.1.X_BROADCOM_COM_ConnectionId" "1"
set property "InternetGatewayDevice.WANDevice.5.WANConnectionDevice.4.WANIPConnection.1.X_BROADCOM_COM_IfName" "veip3.1"
set property "InternetGatewayDevice.WANDevice.5.WANConnectionDevice.4.WANIPConnection.1.X_BROADCOM_COM_VlanMux8021p" "0"
set property "InternetGatewayDevice.WANDevice.5.WANConnectionDevice.4.WANIPConnection.1.X_BROADCOM_COM_VlanMuxID" "2349"
set property "InternetGatewayDevice.WANDevice.5.WANConnectionDevice.6.WANIPConnection.1.Enable" "TRUE"
set property "InternetGatewayDevice.WANDevice.5.WANConnectionDevice.6.WANIPConnection.1.ConnectionType" "IP_Bridged"
set property "InternetGatewayDevice.WANDevice.5.WANConnectionDevice.6.WANIPConnection.1.Name" "veip5"
set property "InternetGatewayDevice.WANDevice.5.WANConnectionDevice.6.WANIPConnection.1.X_BROADCOM_COM_ConnectionId" "1"
set property "InternetGatewayDevice.WANDevice.5.WANConnectionDevice.6.WANIPConnection.1.X_BROADCOM_COM_IfName" "veip5.1"
set property "InternetGatewayDevice.WANDevice.5.WANConnectionDevice.6.WANIPConnection.1.X_BROADCOM_COM_VlanMux8021p" "0"
set property "InternetGatewayDevice.WANDevice.5.WANConnectionDevice.6.WANIPConnection.1.X_BROADCOM_COM_VlanMuxID" "100"
set property "InternetGatewayDevice.Services.VoiceService.1.X_BROADCOM_COM_BoundIfName" "br1"
set property "InternetGatewayDevice.Services.VoiceService.1.VoiceProfile.1.Enable" "Enabled"
set property "InternetGatewayDevice.Services.VoiceService.1.VoiceProfile.1.Region" "RU"
set property "InternetGatewayDevice.Services.VoiceService.1.VoiceProfile.1.DigitMap" "x.t"
set property "InternetGatewayDevice.Layer3Forwarding.X_BROADCOM_COM_DefaultConnectionServices" "ppp0.1"
set property "InternetGatewayDevice.X_BROADCOM_COM_NetworkConfig.DNSIfName" "ppp0.1,veip1.1"
set property "InternetGatewayDevice.X_BROADCOM_COM_IGMPCfg.AvailableGroupsEntity.1.DestinationIPStart" "233.7.70.1"
set property "InternetGatewayDevice.X_BROADCOM_COM_IGMPCfg.AvailableGroupsEntity.1.DestinationIPEnd" "233.7.70.255"
```

```
set property InternetGatewayDevice.WANDevice.5.WANConnectionDevice.-2.Ena 0 nocheck  
set property InternetGatewayDevice.WANDevice.-2.Ena 0 nocheck
```

1.2 Пояснение правил профиля

1.2.1 Включение виртуальных интерфейсов

Данное правило разрешает использование виртуальных интерфейсов, на базе которых строится вся логическая архитектура устройства

Синтаксис и назначение используемых правил

```
set property "InternetGatewayDevice.X_BROADCOM_COM_EthernetSwitch.EnableVirtualPorts" "Value"
```

где
Value = TRUE, FALSE (активация/деактивация виртуальных интерфейсов).

Пример отрывка реальной конфигурации профиля ACS

```
set property "InternetGatewayDevice.X_BROADCOM_COM_EthernetSwitch.EnableVirtualPorts" "TRUE"
```

1.2.2 Создание мостов

Мосты предназначены для связывания WAN и LAN интерфейсов.

Синтаксис и назначение используемых правил

```
set property "InternetGatewayDevice.Layer2Bridging.Bridge.Nb.BridgeEnable" "Value" – создание моста,
```

где

Nb = 1,2,...(номер моста);

Value = TRUE, FALSE (активировать/деактивировать мост).

```
set property "InternetGatewayDevice.Layer2Bridging.Bridge.Nb.BridgeName" "BrName"
```

где

Nb = 1,2,...(номер моста);

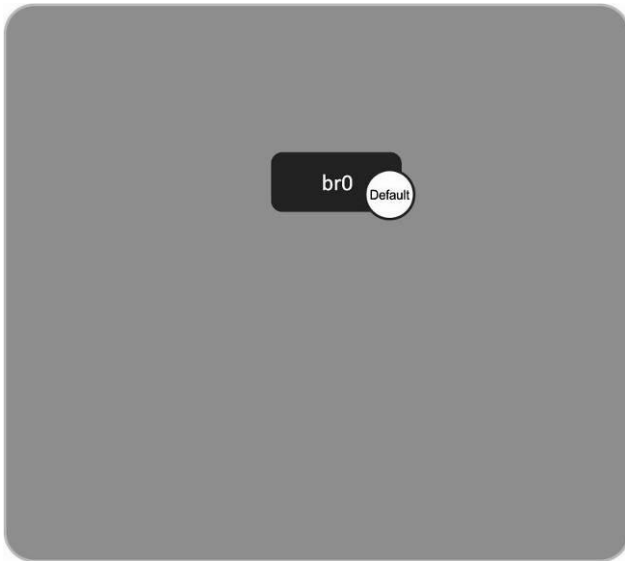
BrName – строковое (string) имя моста, произвольно задаваемое пользователем.



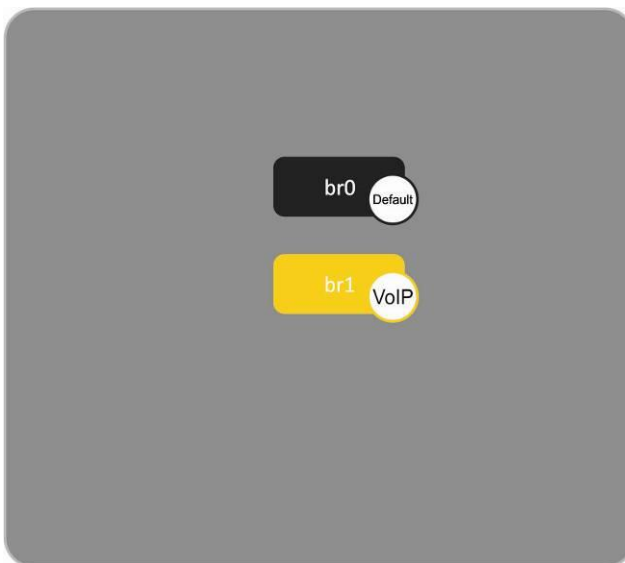
Мост с номером Nb = 1 и BrName = Default должен присутствовать в конфигурации профиля ACS обязательно.

Пример отрывка реальной конфигурации профиля ACS

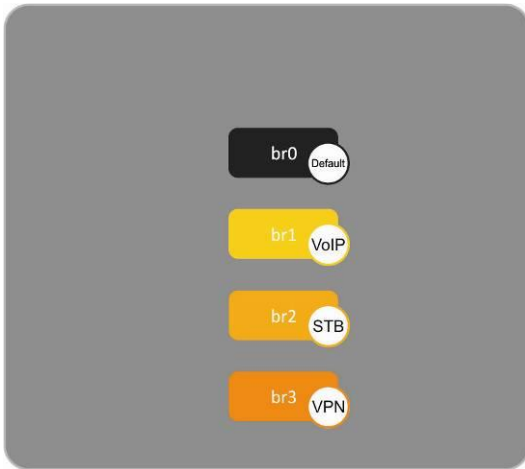
```
set property "InternetGatewayDevice.Layer2Bridging.Bridge.1.BridgeEnable" "TRUE"  
set property "InternetGatewayDevice.Layer2Bridging.Bridge.1.BridgeName" "Default"
```



```
set property "InternetGatewayDevice.Layer2Bridging.Bridge.2.BridgeEnable" "TRUE"  
set property "InternetGatewayDevice.Layer2Bridging.Bridge.2.BridgeName" "VoIP"
```



```
set property "InternetGatewayDevice.Layer2Bridging.Bridge.3.BridgeEnable" "TRUE"  
set property "InternetGatewayDevice.Layer2Bridging.Bridge.3.BridgeName" "STB"  
set property "InternetGatewayDevice.Layer2Bridging.Bridge.4.BridgeEnable" "TRUE"  
set property "InternetGatewayDevice.Layer2Bridging.Bridge.4.BridgeName" "VPN"
```



1.2.3 Создание таблицы фильтров

Каждый фильтр может быть связан с одним мостом. На базе фильтров впоследствии создаются LAN и WAN интерфейсы.

Синтаксис и назначение используемых правил

set property "InternetGatewayDevice.Layer2Bridging.Filter.Nf.FilterEnable" "Value" – создание фильтра, где

Nf = 1,2,3,...(номер фильтра);

Value = TRUE, FALSE (активировать/деактивировать фильтр).

set property "InternetGatewayDevice.Layer2Bridging.Filter.Nf.FilterBridgeReference" "Nb-1" – привязка фильтра к мосту, где

Nf = 1,2,3,...(номер фильтра);

Nb = 1,2,3...(номер моста).

set property "InternetGatewayDevice.Layer2Bridging.Filter.Nf.FilterInterfaceName" "Ifname" – присвоение имени фильтру интерфейса, где

Nf = 1,2,3,...(номер фильтра);

Ifname = eth0,eth1, eth2, eth3 – фильтры LAN интерфейсов:

wl0 – фильтр интерфейса Wi-Fi;

wl0.1, wl0.2,wl0.3 – фильтры виртуальных wi-fi интерфейсов;

veip0.1, veip1.1,veip2.1,veip3.1,veip4.1 – фильтры WAN интерфейсов.



Следующие интерфейсы должны присутствовать в конфигурации в обязательном порядке и соответствовать номерам фильтров:

Nf = 1 - Ifname = eth0

Nf = 2 - Ifname = eth1

Nf = 3 - Ifname = eth2

Nf = 4 - Ifname = eth3

Nf = 5 - Ifname = wl0

Nf = 6 - Ifname = w10.1
Nf = 7 - Ifname = w10.2
Nf = 8 - Ifname = w10.3
Nf = 9 - Ifname = veip4.1

Далее фильтры WAN интерфейсов, начиная с *Nf = 10*, создаются по усмотрению пользователя в соответствии с моделью предоставления услуг.



Для устройств без Wi-Fi интерфейса в конфигурации профиля ACS не требуется указывать фильтры Wi-Fi интерфейса и виртуальных Wi-Fi интерфейсов (*w10*, *w10.1*, *w10.2*, *w10.3*). Таким образом, нумерация фильтров, отведенных для WAN интерфейсов, сдвигается на место фильтров интерфейсов Wi-Fi:

Nf = 1 - Ifname = eth0
Nf = 2 - Ifname = eth1
Nf = 3 - Ifname = eth2
Nf = 4 - Ifname = eth3
Nf = 5 - Ifname = veip4.1



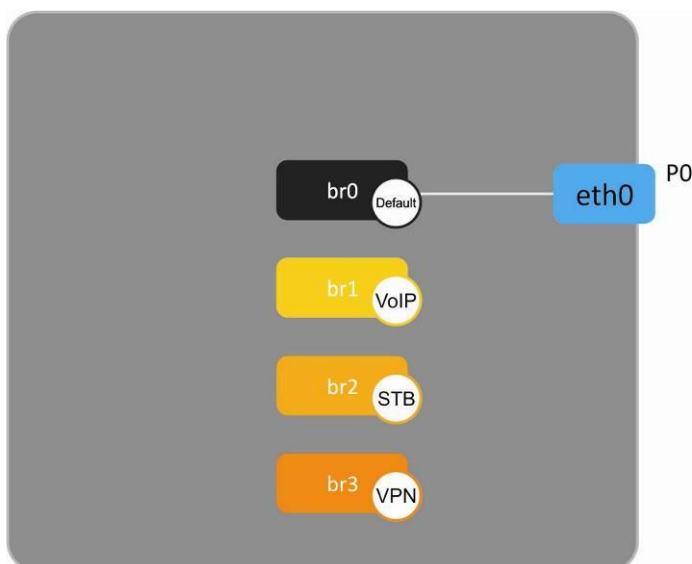
В случае если на базе фильтра создается WAN PPP интерфейс, то имена *veip0.1*, *veip1.1...* заменяется на *ppp0.1*, *ppp1.1...*

Пример отрывка реальной конфигурации профиля ACS.

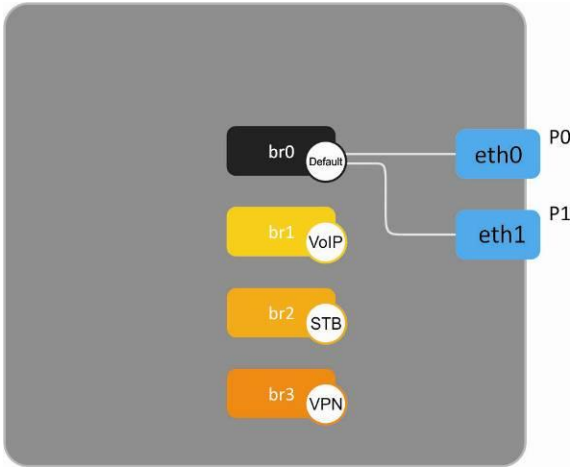
```

set property "InternetGatewayDevice.Layer2Bridging.Filter.1.FilterEnable" "TRUE"
set property "InternetGatewayDevice.Layer2Bridging.Filter.1.FilterBridgeReference" "0"
set property "InternetGatewayDevice.Layer2Bridging.Filter.1.FilterInterfaceName" "eth0"

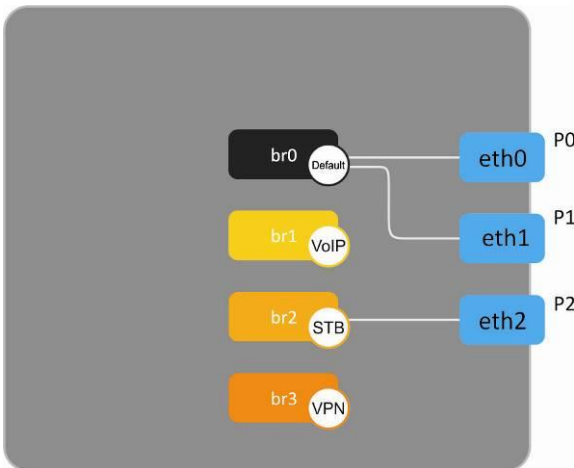
```



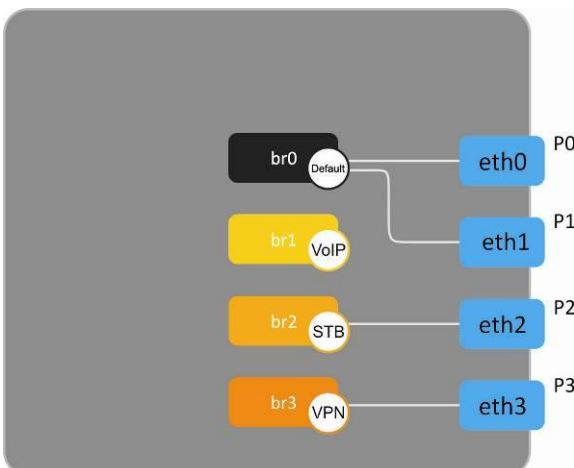
```
set property "InternetGatewayDevice.Layer2Bridging.Filter.2.FilterEnable" "TRUE"
set property "InternetGatewayDevice.Layer2Bridging.Filter.2.FilterBridgeReference" "0"
set property "InternetGatewayDevice.Layer2Bridging.Filter.2.FilterInterfaceName" "eth1"
```



```
set property "InternetGatewayDevice.Layer2Bridging.Filter.3.FilterEnable" "TRUE"
set property "InternetGatewayDevice.Layer2Bridging.Filter.3.FilterBridgeReference" "2"
set property "InternetGatewayDevice.Layer2Bridging.Filter.3.FilterInterfaceName" "eth2"
```



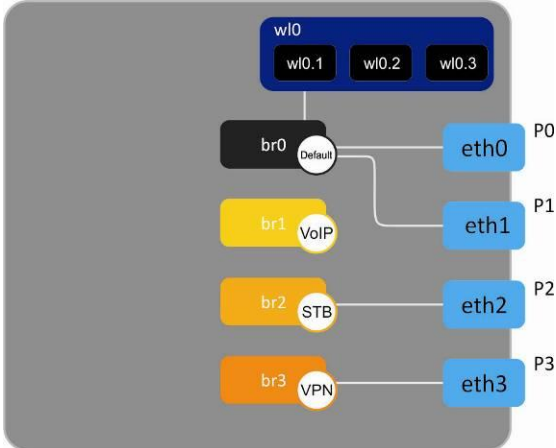
```
set property "InternetGatewayDevice.Layer2Bridging.Filter.4.FilterEnable" "TRUE"
set property "InternetGatewayDevice.Layer2Bridging.Filter.4.FilterBridgeReference" "3"
set property "InternetGatewayDevice.Layer2Bridging.Filter.4.FilterInterfaceName" "eth3"
```




```

set property "InternetGatewayDevice.Layer2Bridging.Filter.5.FilterEnable" "TRUE"
set property "InternetGatewayDevice.Layer2Bridging.Filter.5.FilterBridgeReference" "0"
set property "InternetGatewayDevice.Layer2Bridging.Filter.5.FilterInterfaceName" "wl0"
set property "InternetGatewayDevice.Layer2Bridging.Filter.6.FilterEnable" "TRUE"
set property "InternetGatewayDevice.Layer2Bridging.Filter.6.FilterInterfaceName" "wl0.1"
set property "InternetGatewayDevice.Layer2Bridging.Filter.7.FilterEnable" "TRUE"
set property "InternetGatewayDevice.Layer2Bridging.Filter.7.FilterInterfaceName" "wl0.2"
set property "InternetGatewayDevice.Layer2Bridging.Filter.8.FilterEnable" "TRUE"
set property "InternetGatewayDevice.Layer2Bridging.Filter.8.FilterInterfaceName" "wl0.3"

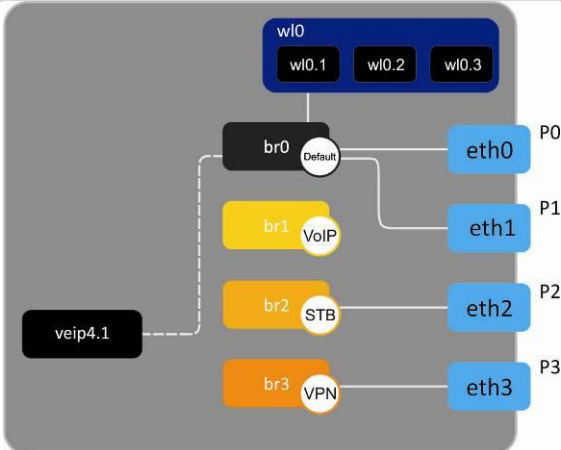
```



```

set property "InternetGatewayDevice.Layer2Bridging.Filter.9.FilterEnable" "TRUE"
set property "InternetGatewayDevice.Layer2Bridging.Filter.9.FilterBridgeReference" "0"
set property "InternetGatewayDevice.Layer2Bridging.Filter.9.FilterInterfaceName" "veip4.1"

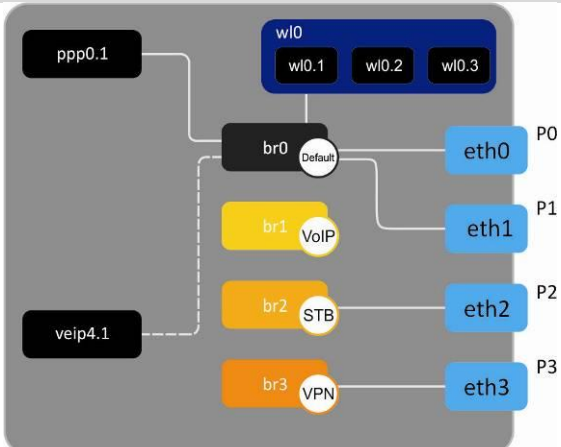
```



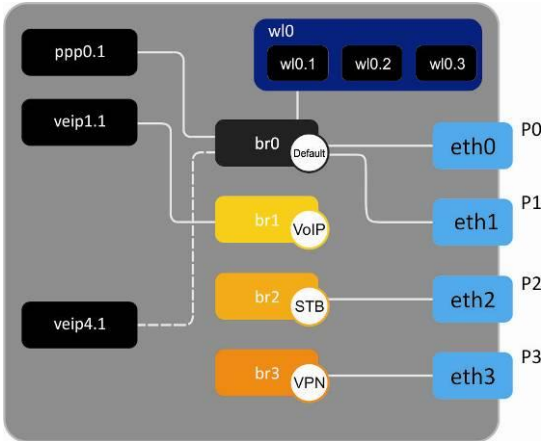
```

set property "InternetGatewayDevice.Layer2Bridging.Filter.10.FilterEnable" "TRUE"
set property "InternetGatewayDevice.Layer2Bridging.Filter.10.FilterBridgeReference" "0"
set property "InternetGatewayDevice.Layer2Bridging.Filter.10.FilterInterfaceName" "veip0.1"

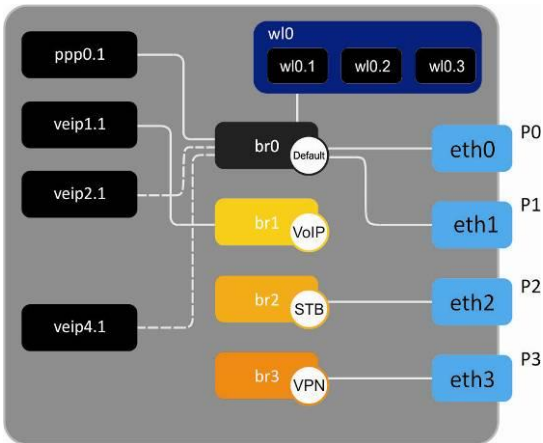
```



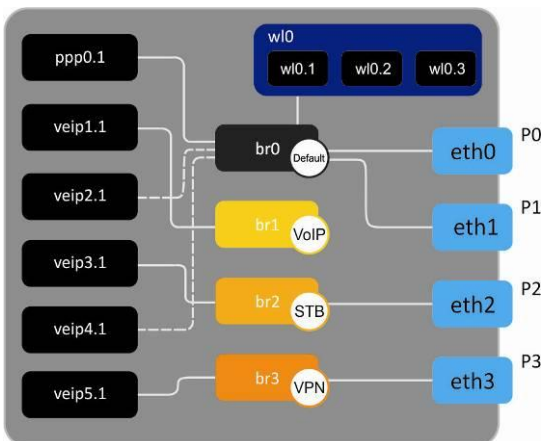
```
set property "InternetGatewayDevice.Layer2Bridging.Filter.11.FilterEnable" "TRUE"
set property "InternetGatewayDevice.Layer2Bridging.Filter.11.FilterBridgeReference" "1"
set property "InternetGatewayDevice.Layer2Bridging.Filter.11.FilterInterfaceName" "veip1.1"
```



```
set property "InternetGatewayDevice.Layer2Bridging.Filter.12.FilterEnable" "TRUE"
set property "InternetGatewayDevice.Layer2Bridging.Filter.12.FilterBridgeReference" "0"
set property "InternetGatewayDevice.Layer2Bridging.Filter.12.FilterInterfaceName" "veip2.1"
```



```
set property "InternetGatewayDevice.Layer2Bridging.Filter.13.FilterEnable" "TRUE"
set property "InternetGatewayDevice.Layer2Bridging.Filter.13.FilterBridgeReference" "2"
set property "InternetGatewayDevice.Layer2Bridging.Filter.13.FilterInterfaceName" "veip3.1"
set property "InternetGatewayDevice.Layer2Bridging.Filter.14.FilterEnable" "TRUE"
set property "InternetGatewayDevice.Layer2Bridging.Filter.14.FilterBridgeReference" "3"
set property "InternetGatewayDevice.Layer2Bridging.Filter.14.FilterInterfaceName" "veip5.1"
```



1.2.4 Конфигурирование LAN интерфейсов

Каждому мосту сопоставлен LAN интерфейс. LAN интерфейсу сопоставляются фильтры интерфейсов eth, которые привязаны к этому же мосту.

Синтаксис и назначение используемых правил

set property "InternetGatewayDevice.LANDevice.Nb.LANHostConfigManagement.IPInterface.1.Enable" "Value" – создание LAN интерфейса, где

Nb = 1,2,...(номер моста);

Value = TRUE, FALSE (активировать/деактивировать LAN интерфейс).

set property "InternetGatewayDevice.LANDevice.Nb.LANHostConfigManagement.IPInterface.1.IPInterfaceIPAddress" "IpLAN" – назначение LAN интерфейсу IP адреса, где

Nb = 1,2,...(номер моста);

IpLAN = x.x.x.x (IP адрес LAN интерфейса).

set property "InternetGatewayDevice.LANDevice.Nb.LANHostConfigManagement.DHCPServerEnable" "Value" –

включение на LAN интерфейсе DHCP сервера, где

Nb = 1,2,...(номер моста);

Value = TRUE, FALSE (включить/выключить DHCP сервер).

set property

"InternetGatewayDevice.LANDevice.Nb.LANHostConfigManagement.IPInterface.1.IPInterfaceAddressingType" "DHCP"

– разрешение получить IP адрес по DHCP на мост, сопоставленный LAN интерфейсу, где

Nb = 1,2,...(номер моста).

set property "InternetGatewayDevice.LANDevice.Nb.X_BROADCOM_COM_IgmpSnoopingConfig.Enable" "Value" –

включение на интерфейсе IGMP snooping функционала (требуется для проброса мультикаста на интерфейс), где

Nb = 1,2,...(номер моста) ;

Value = TRUE, FALSE (включить/выключить Igmp snooping).

Пример отрывка реальной конфигурации профиля ACS

```
set property "InternetGatewayDevice.LANDevice.1.LANHostConfigManagement.IPInterface.1.Enable" "TRUE"
set property "InternetGatewayDevice.LANDevice.1.LANHostConfigManagement.IPInterface.1.IPInterfaceIPAddress" "192.168.1.1"
set property "InternetGatewayDevice.LANDevice.1.LANHostConfigManagement.DHCPServerEnable" "TRUE"
set property "InternetGatewayDevice.LANDevice.1.X_BROADCOM_COM_IgmpSnoopingConfig.Enable" "TRUE"

set property "InternetGatewayDevice.LANDevice.2.LANHostConfigManagement.IPInterface.1.Enable" "TRUE"
set property "InternetGatewayDevice.LANDevice.2.LANHostConfigManagement.IPInterface.1.IPInterfaceIPAddress" "0.0.0.0"
set property "InternetGatewayDevice.LANDevice.2.LANHostConfigManagement.IPInterface.1.IPInterfaceAddressingType" "DHCP"

set property "InternetGatewayDevice.LANDevice.3.LANHostConfigManagement.IPInterface.1.Enable" "TRUE"
set property "InternetGatewayDevice.LANDevice.3.LANHostConfigManagement.IPInterface.1.IPInterfaceIPAddress" "0.0.0.0"
set property "InternetGatewayDevice.LANDevice.3.X_BROADCOM_COM_IgmpSnoopingConfig.Enable" "TRUE"
```

1.2.5 Создание WAN интерфейсов

1.2.5.1 Создание WAN PPP интерфейса

WAN PPP интерфейс предназначен для предоставления услуг с использованием модели PPPoE.

Синтаксис и назначение используемых правил

set property "InternetGatewayDevice.WANDevice.5.X_BROADCOM_COM_WANPonInterfaceConfig.Enable" "Value"

- активация конфигурирования WAN интерфейсов, где

Value = TRUE, FALSE (активация/деактивация конфигурирования WAN интерфейсов).

set property "InternetGatewayDevice.WANDevice.5.WANConnectionDevice.Nd.WANPPPConnection.1.Enable" "Value"

– создание WAN PPP интерфейса, где

Nd = 1,2,3,...(номер WAN интерфейса);

Value = TRUE, FALSE (активировать/деактивировать интерфейс).

set property

"InternetGatewayDevice.WANDevice.5.WANConnectionDevice.Nd.WANPPPConnection.1.ConnectionType"

"IP_Routed" – перевод WAN интерфейса в режим роутера, где

Nd = 1,2,3,...(номер WAN интерфейса).

set property "InternetGatewayDevice.WANDevice.5.WANConnectionDevice.Nd.WANPPPConnection.1.Name"

"veip(Nd-1)" – привязка WAN интерфейса к вышестоящему стыковочному с GPON частью интерфейсу, где

Nd = 1,2,3,...(номер WAN интерфейса).

set property

"InternetGatewayDevice.WANDevice.5.WANConnectionDevice.Nd.WANPPPConnection.1.X_BROADCOM_COM_ConnectionId" "1" – задание идентификатора соединения (обязательное правило в WAN интерфейсе), где

Nd = 1,2,3,...(номер WAN интерфейса)

set property

"InternetGatewayDevice.WANDevice.5.WANConnectionDevice.Nd.WANPPPConnection.1.X_BROADCOM_COM_IfName" "ifname" – привязка интерфейса к сопоставленному ему ранее фильтру интерфейса, где

Nd = 1,2,3,...(номер WAN интерфейса);

Ifname = rpp0.1, veip0.1,veip0.2...(имя фильтра интерфейса).

set property

"InternetGatewayDevice.WANDevice.5.WANConnectionDevice.Nd.WANPPPConnection.1.X_BROADCOM_COM_VlanMux8021p" "Np" – назначение тегированному трафику приоритета согласно 802.1p, где

Nd = 1,2,3,...(номер WAN интерфейса) ;

Np = 1,2,3 ... (приоритет тегированного трафика согласно 802.1p).

set property

"InternetGatewayDevice.WANDevice.5.WANConnectionDevice.Nd.WANPPPConnection.1.X_BROADCOM_COM_VlanMuxID" "Nv" – назначение тега VLAN для трафика, идущего через данный интерфейс, где

Nd = 1,2,3,...(номер WAN интерфейса) ;

Nv = 1,2,3 ..., 4095 (номер VLAN тегированного трафика, идущего через данный интерфейс).

Пример отрывка реальной конфигурации профиля ACS

```
set property "InternetGatewayDevice.WANDevice.5.X_BROADCOM_COM_WANPonInterfaceConfig.Enable" "TRUE"
set property "InternetGatewayDevice.WANDevice.5.WANConnectionDevice.1.WANPPPConnection.1.Enable" "TRUE"
set property "InternetGatewayDevice.WANDevice.5.WANConnectionDevice.1.WANPPPConnection.1.ConnectionType" "IP_Routed"
set property "InternetGatewayDevice.WANDevice.5.WANConnectionDevice.1.WANPPPConnection.1.Name" "veip0"
set property "InternetGatewayDevice.WANDevice.5.WANConnectionDevice.1.WANPPPConnection.1.NATEnabled" "TRUE"
set property
"InternetGatewayDevice.WANDevice.5.WANConnectionDevice.1.WANPPPConnection.1.X_BROADCOM_COM_FirewallEnabled"
"TRUE"
set property
"InternetGatewayDevice.WANDevice.5.WANConnectionDevice.1.WANPPPConnection.1.X_BROADCOM_COM_ConnectionId" "1"
set property "InternetGatewayDevice.WANDevice.5.WANConnectionDevice.1.WANPPPConnection.1.X_BROADCOM_COM_IfName"
"ppp0.1"
set property
"InternetGatewayDevice.WANDevice.5.WANConnectionDevice.1.WANPPPConnection.1.X_BROADCOM_COM_VlanMux8021p" "0"
set property
"InternetGatewayDevice.WANDevice.5.WANConnectionDevice.1.WANPPPConnection.1.X_BROADCOM_COM_VlanMuxID" "2149"
```

1.2.5.2 Создание статического WAN IPoE интерфейса

WAN IPoE интерфейс предназначен для предоставления услуг с использованием модели IPoE.

set property "InternetGatewayDevice.WANDevice.5.WANIPConnection.Nd.WANIPConnection.1.Enable" "Value" –
создание WAN IP интерфейса, где
Nd = 1,2,3,...(номер WAN интерфейса) ;
Value = TRUE, FALSE (активировать/деактивировать интерфейс).

set property "InternetGatewayDevice.WANDevice.5.WANConnectionDevice.Nd.WANIPConnection.1.ConnectionType"
"IP_Routed" – перевод WAN интерфейса в режим моста, где
Nd = 1,2,3,...(номер WAN интерфейса).

set property "InternetGatewayDevice.WANDevice.5.WANConnectionDevice.Nd.WANIPConnection.1.Name" "veip(Nd-1)" –
привязка WAN интерфейса к вышестоящему стыковочному с GPON частью интерфейсу, где
Nd = 1,2,3,... (номер WAN интерфейса).

set property
"InternetGatewayDevice.WANDevice.5.WANConnectionDevice.Nd.WANIPConnection.1.X_BROADCOM_COM_Connecti
onId" "1" – служебное ключевое поле, если его не устанавливать при создании, то будет создана неисправная
конфигурация.

set property
"InternetGatewayDevice.WANDevice.5.WANConnectionDevice.Nd.WANIPConnection.1.X_BROADCOM_COM_IfName"
"Ifname" – привязка интерфейса к сопоставленному ему ранее фильтру интерфейса, где
Nd = 1,2,3,...(номер WAN интерфейса);
Ifname = ppp0.1, veip0.1, veip0.2...(имя фильтра интерфейса).

set property
"InternetGatewayDevice.WANDevice.5.WANConnectionDevice.Nd.WANIPConnection.1.X_BROADCOM_COM_VlanMu
x8021p" "Np" – назначение тегированному трафику приоритета согласно 802.1p, где
Nd = 1,2,3,...(номер WAN интерфейса);
Np = 1,2,3 ... (приоритет тегированного трафика согласно 802.1p).

set property

"InternetGatewayDevice.WANDevice.5.WANConnectionDevice.Nd.WANIPConnection.1.X_BROADCOM_COM_VlanMuxID" "Nv" – назначение тега VLAN для трафика, идущего через данный интерфейс, где
Nd = 1,2,3,...(номер WAN интерфейса),
Nv = 1,2,3 ..., 4095 (номер VLAN тегированного трафика, идущего через данный интерфейс).

set property

"InternetGatewayDevice.WANDevice.5.WANConnectionDevice.Nd.WANIPConnection.1.ExternalIPAddress" "IpAddr" – назначение статического IP адреса на WAN интерфейс, с которого будут отправляться перехваченные с LAN интерфейсов IGMP пакеты, где
Nd = 1,2,3,...(номер WAN интерфейса);
IpAddr = x.x.x.x (IP адрес WAN интерфейса).

set property "InternetGatewayDevice.WANDevice.5.WANConnectionDevice.3.WANIPConnection.1.SubnetMask"

"Mask" – назначение статической маски IP адреса WAN интерфейса, где
Nd = 1,2,3,...(номер WAN интерфейса);
Mask = y.y.y.y (маска IP адреса WAN интерфейса).

set property

"InternetGatewayDevice.WANDevice.5.WANConnectionDevice.Nd.WANIPConnection.1.X_BROADCOM_COM_IGMPEnabled" "Value" - включение на WAN интерфейсе функционала IGMP, где
Nd = 1,2,3,...(номер WAN интерфейса);
Value = TRUE/FALSE (включение/выключение IGMP).

Пример отрывка реальной конфигурации профиля ACS

```
set property "InternetGatewayDevice.WANDevice.5.WANConnectionDevice.3.WANIPConnection.1.Enable" "TRUE"
set property "InternetGatewayDevice.WANDevice.5.WANConnectionDevice.3.WANIPConnection.1.ConnectionType" "IP_Routed"
set property "InternetGatewayDevice.WANDevice.5.WANConnectionDevice.3.WANIPConnection.1.Name" "veip2"
set property "InternetGatewayDevice.WANDevice.5.WANConnectionDevice.3.WANIPConnection.1.X_BROADCOM_COM_IfName"
"veip2.1"
set property
"InternetGatewayDevice.WANDevice.5.WANConnectionDevice.3.WANIPConnection.1.X_BROADCOM_COM_ConnectionId" "1"
set property
"InternetGatewayDevice.WANDevice.5.WANConnectionDevice.3.WANIPConnection.1.X_BROADCOM_COM_VlanMux8021p" "0"
set property "InternetGatewayDevice.WANDevice.5.WANConnectionDevice.3.WANIPConnection.1.X_BROADCOM_COM_VlanMuxID"
"26"
set property "InternetGatewayDevice.WANDevice.5.WANConnectionDevice.3.WANIPConnection.1.ExternalIPAddress"
"192.168.21.21"
set property "InternetGatewayDevice.WANDevice.5.WANConnectionDevice.3.WANIPConnection.1.SubnetMask" "255.255.255.0"
set property
"InternetGatewayDevice.WANDevice.5.WANConnectionDevice.3.WANIPConnection.1.X_BROADCOM_COM_IGMPEnabled" "TRUE"
```

1.2.5.3 Создание WAN bridge интерфейса

WAN bridge интерфейс предназначен для предоставления услуг с использованием модели моста.

Синтаксис и назначение используемых правил

set property "InternetGatewayDevice.WANDevice.5.WANIPConnection.Nd.WANIPConnection.1.Enable" "Value" – создание WAN IP интерфейса, где
Nd = 1,2,3,...(номер WAN интерфейса);
Value = TRUE, FALSE (активировать/деактивировать интерфейс)

set property "InternetGatewayDevice.WANDevice.5.WANConnectionDevice.Nd.WANIPConnection.1.ConnectionType" "IP_Bridged" – перевод WAN интерфейса в режим моста, где
Nd = 1,2,3,...(номер WAN интерфейса).

set property "InternetGatewayDevice.WANDevice.5.WANConnectionDevice.Nd.WANIPConnection.1.Name" "veip(Nd-1)" – привязка WAN интерфейса к вышестоящему стыковочному с GPON частью интерфейсу, где
Nd = 1,2,3,...(номер WAN интерфейса).

set property "InternetGatewayDevice.WANDevice.5.WANConnectionDevice.Nd.WANIPConnection.1.X_BROADCOM_COM_ConnectionId" "1" – служебное ключевое поле, если его не устанавливать при создании, то будет создана неисправная конфигурация.

set property "InternetGatewayDevice.WANDevice.5.WANConnectionDevice.Nd.WANIPConnection.1.X_BROADCOM_COM_IfName" "Ifname" – привязка интерфейса к сопоставленному ему ранее фильтру интерфейса, где
Nd = 1,2,3,...(номер WAN интерфейса);
Ifname = rpp0.1, veip0.1,veip0.2...(имя фильтра интерфейса).

set property "InternetGatewayDevice.WANDevice.5.WANConnectionDevice.Nd.WANIPConnection.1.X_BROADCOM_COM_VlanMux8021p" "Np" – назначение тегированному трафику приоритета согласно 802.1p, где
Nd = 1,2,3,...(номер WAN интерфейса);
Np = 1,2,3 ... (приоритет тегированного трафика согласно 802.1p).

set property "InternetGatewayDevice.WANDevice.5.WANConnectionDevice.Nd.WANIPConnection.1.X_BROADCOM_COM_VlanMuxID" "Nv" – назначение тега VLAN для трафика, идущего через данный интерфейс, где
Nd = 1,2,3,...(номер WAN интерфейса);
Nv = 1,2,3 ..., 4095 (номер VLAN тегированного трафика, идущего через данный интерфейс).

set property "InternetGatewayDevice.WANDevice.5.WANConnectionDevice.Nd.WANIPConnection.1.AddressingType" "DHCP" – разрешение получить IP адрес по DHCP на мост, сопоставленный LAN интерфейсу, где
Nd = 1,2,3,...(номер WAN интерфейса).

Пример отрывка реальной конфигурации профиля ACS

```
set property "InternetGatewayDevice.WANDevice.5.WANConnectionDevice.2.WANIPConnection.1.Enable" "TRUE"
set property "InternetGatewayDevice.WANDevice.5.WANConnectionDevice.2.WANIPConnection.1.ConnectionType" "IP_Bridged"
set property "InternetGatewayDevice.WANDevice.5.WANConnectionDevice.2.WANIPConnection.1.Name" "veip1"
set property
"InternetGatewayDevice.WANDevice.5.WANConnectionDevice.2.WANIPConnection.1.X_BROADCOM_COM_ConnectionId" "1"
set property "InternetGatewayDevice.WANDevice.5.WANConnectionDevice.2.WANIPConnection.1.X_BROADCOM_COM_IfName"
"veip1.1"
set property
"InternetGatewayDevice.WANDevice.5.WANConnectionDevice.2.WANIPConnection.1.X_BROADCOM_COM_VlanMux8021p" "0"
set property "InternetGatewayDevice.WANDevice.5.WANConnectionDevice.2.WANIPConnection.1.X_BROADCOM_COM_VlanMuxID"
"3149"
set property "InternetGatewayDevice.WANDevice.5.WANConnectionDevice.2.WANIPConnection.1.AddressingType" "DHCP"
set property "InternetGatewayDevice.WANDevice.5.WANConnectionDevice.4.WANIPConnection.1.Enable" "TRUE"
set property "InternetGatewayDevice.WANDevice.5.WANConnectionDevice.4.WANIPConnection.1.ConnectionType" "IP_Bridged"
set property "InternetGatewayDevice.WANDevice.5.WANConnectionDevice.4.WANIPConnection.1.Name" "veip3"
set property
"InternetGatewayDevice.WANDevice.5.WANConnectionDevice.4.WANIPConnection.1.X_BROADCOM_COM_ConnectionId" "1"
```

```
set property "InternetGatewayDevice.WANDevice.5.WANConnectionDevice.4.WANIPConnection.1.X_BROADCOM_COM_IfName"
"veip3.1"
set property
"InternetGatewayDevice.WANDevice.5.WANConnectionDevice.4.WANIPConnection.1.X_BROADCOM_COM_VlanMux8021p" "0"
set property "InternetGatewayDevice.WANDevice.5.WANConnectionDevice.4.WANIPConnection.1.X_BROADCOM_COM_VlanMuxID"
"2349"
set property "InternetGatewayDevice.WANDevice.5.WANConnectionDevice.6.WANIPConnection.1.Enable" "TRUE"
set property "InternetGatewayDevice.WANDevice.5.WANConnectionDevice.6.WANIPConnection.1.ConnectionType" "IP_Bridged"
set property "InternetGatewayDevice.WANDevice.5.WANConnectionDevice.6.WANIPConnection.1.Name" "veip5"
set property
"InternetGatewayDevice.WANDevice.5.WANConnectionDevice.6.WANIPConnection.1.X_BROADCOM_COM_ConnectionId" "1"
set property "InternetGatewayDevice.WANDevice.5.WANConnectionDevice.6.WANIPConnection.1.X_BROADCOM_COM_IfName"
"veip5.1"
set property
"InternetGatewayDevice.WANDevice.5.WANConnectionDevice.6.WANIPConnection.1.X_BROADCOM_COM_VlanMux8021p" "0"
set property "InternetGatewayDevice.WANDevice.5.WANConnectionDevice.6.WANIPConnection.1.X_BROADCOM_COM_VlanMuxID"
"100"
```

1.2.6 Конфигурирование телефонии

Синтаксис и назначение используемых правил

set property "InternetGatewayDevice.Services.VoiceService.1.X_BROADCOM_COM_BoundIfName" "IfName" – указание интерфейса, через который будет ходить телефонный трафик, где **IfName** = veip0.1, veip1.1, veip2.1, veip3.1, br0, br1, br2... (имя интерфейса).

set property "InternetGatewayDevice.Services.VoiceService.1.VoiceProfile.1.Enable" "Value" – включение телефонии, где **Value** = Enabled, Disabled (включение/выключение телефонии).

set property "InternetGatewayDevice.Services.VoiceService.1.VoiceProfile.1.Region" "Reg" – выбор региона, стандарты которого будут использованы в автонастройке телефонии, где **Reg** = RU, GB..... (сокращенное название региона).

set property "InternetGatewayDevice.Services.VoiceService.1.VoiceProfile.1.DigitMap" "DP" – настройка dial plana, где **DP** = xxxxxxxxxxxx (dialplan).

Пример отрывка реальной конфигурации профиля ACS

```
set property "InternetGatewayDevice.Services.VoiceService.1.X_BROADCOM_COM_BoundIfName" "br1"
set property "InternetGatewayDevice.Services.VoiceService.1.VoiceProfile.1.Enable" "Enabled"
set property "InternetGatewayDevice.Services.VoiceService.1.VoiceProfile.1.Region" "RU"
set property "InternetGatewayDevice.Services.VoiceService.1.VoiceProfile.1.DigitMap" "x.t"
```

1.2.7 Настройка шлюза по умолчанию

Синтаксис и назначение используемых правил

set property "InternetGatewayDevice.Layer3Forwarding.X_BROADCOM_COM_DefaultConnectionServices" "IfName" – выбор WAN интерфейса в качестве интерфейса по умолчанию, где **IfName** – имя WAN интерфейса

Пример отрывка реальной конфигурации профиля ACS

```
set property "InternetGatewayDevice.Layer3Forwarding.X_BROADCOM_COM_DefaultConnectionServices" "ppp0.1"
```

1.2.8 Настройка интерфейсов для получения DNS

Синтаксис и назначение используемых правил:

set property "InternetGatewayDevice.X_BROADCOM_COM_NetworkConfig.DNSIfName" "IfName1,IfName2..." – выбор интерфейсов, с которых будут резолвиться адреса DNS, где **IfName1,IfName2** – имена WAN интерфейсов.

Пример отрывка реальной конфигурации профиля ACS

```
set property "InternetGatewayDevice.X_BROADCOM_COM_NetworkConfig.DNSIfName" "ppp0.1,veip1.1"
```

1.2.9 Настройка диапазона разрешенных мультикастовых групп

Синтаксис и назначение используемых правил:

set property "InternetGatewayDevice.X_BROADCOM_COM_IGMPCfg.AvailableGroupsEntity.Ng.DestinationIPStart" "IPstart" – указание стартового IP диапазона разрешенных мультикастовых групп, где **Ng = 1,2, 3...** (порядковый номер диапазона); **IPstart = х.х.х.х** (стартовый IP адрес диапазона).

set property "InternetGatewayDevice.X_BROADCOM_COM_IGMPCfg.AvailableGroupsEntity.Ng.DestinationIPEnd" "IPend" указание конечного IP адреса диапазона разрешенных мультикастовых групп, где **Ng = 1,2, 3...** (порядковый номер диапазона); **IPend = х.х.х.х** (конечный IP адрес диапазона).

Пример отрывка реальной конфигурации профиля ACS

```
set property "InternetGatewayDevice.X_BROADCOM_COM_IGMPCfg.AvailableGroupsEntity.1.DestinationIPStart" "233.7.70.1"  
set property "InternetGatewayDevice.X_BROADCOM_COM_IGMPCfg.AvailableGroupsEntity.1.DestinationIPEnd" "233.7.70.255"
```

Пример отрывка реальной конфигурации профиля ACS для двух диапазонов

```
set property "InternetGatewayDevice.X_BROADCOM_COM_IGMPCfg.AvailableGroupsEntity.1.DestinationIPStart" "233.7.70.1"  
set property "InternetGatewayDevice.X_BROADCOM_COM_IGMPCfg.AvailableGroupsEntity.1.DestinationIPEnd" "233.7.70.255"  
set property "InternetGatewayDevice.X_BROADCOM_COM_IGMPCfg.AvailableGroupsEntity.2.DestinationIPStart" "226.1.1.0"  
set property "InternetGatewayDevice.X_BROADCOM_COM_IGMPCfg.AvailableGroupsEntity.2.DestinationIPEnd" "226.1.1.10"
```

1.2.10 Протекторы

Протекторы – специальные правила, обязательно присутствующие в конфигурации профиля ACS для защиты групп параметров конфигурации от удаления в случае несовпадения размера массивов или несовпадения количества элементов массива в конфигурации профиля и конфигурации NTP. Т.к. в конфигурации профиля ACS может присутствовать меньше WAN интерфейсов, чем в конфигурации устройства, то система, сравнив конфигурацию устройства и конфигурацию NTP, затрет, несовпадающие интерфейсы. Протекторы защитят несовпадающие интерфейсы от затирания или добавления новых.

Пример отрывка реальной конфигурации профиля ACS

```
set property InternetGatewayDevice.WANDevice.5.WANConnectionDevice.-2.Ena 0 nocheck  
set property InternetGatewayDevice.WANDevice.-2.Ena 0 nocheck
```

1.3 Экспресс-конфигурирование

Используем в качестве базового профиль, приведенный в начале документа для различных действий, приведенных ниже.

Переназначение LAN порты eth2 и eth3 с услуги STB на услугу Internet.

В правилах фильтров данных LAN интерфейсов необходимо сменить номер моста, к которому они привязаны

```
set property "InternetGatewayDevice.Layer2Bridging.Filter.3.FilterBridgeReference" "2"  
set property "InternetGatewayDevice.Layer2Bridging.Filter.4.FilterBridgeReference" "2"
```

изменить на :

```
set property "InternetGatewayDevice.Layer2Bridging.Filter.3.FilterBridgeReference" "0"  
set property "InternetGatewayDevice.Layer2Bridging.Filter.4.FilterBridgeReference" "0"
```

Отключение портов (например, порты eth2 и eth3).

Изменить правила:

```
set property "InternetGatewayDevice.Layer2Bridging.Filter.3.FilterEnable" "FALSE"  
set property "InternetGatewayDevice.Layer2Bridging.Filter.4.FilterEnable" "FALSE"
```

Смена режима работы WAN интерфейса (например, с PPPoE на Bridge)

Удалить правила:

```
set property "InternetGatewayDevice.WANDevice.5.WANConnectionDevice.1.WANPPPConnection.1.Enable" "TRUE"  
set property "InternetGatewayDevice.WANDevice.5.WANConnectionDevice.1.WANPPPConnection.1.ConnectionType" "IP_Routed"  
set property "InternetGatewayDevice.WANDevice.5.WANConnectionDevice.1.WANPPPConnection.1.Name" "veip0"  
set property "InternetGatewayDevice.WANDevice.5.WANConnectionDevice.1.WANPPPConnection.1.NATEnabled" "TRUE"  
set property "InternetGatewayDevice.WANDevice.5.WANConnectionDevice.1.WANPPPConnection.1.X_BROADCOM_COM_FirewallEnabled" "TRUE"  
set property "InternetGatewayDevice.WANDevice.5.WANConnectionDevice.1.WANPPPConnection.1.X_BROADCOM_COM_ConnectionId" "1"  
set property "InternetGatewayDevice.WANDevice.5.WANConnectionDevice.1.WANPPPConnection.1.X_BROADCOM_COM_IfName" "ppp0.1"  
set property "InternetGatewayDevice.WANDevice.5.WANConnectionDevice.1.WANPPPConnection.1.X_BROADCOM_COM_VlanMux8021p" "0"  
set property "InternetGatewayDevice.WANDevice.5.WANConnectionDevice.1.WANPPPConnection.1.X_BROADCOM_COM_VlanMuxID" "2149"
```

Удаление правил:

```
(acs-profile-name='test')delete property "InternetGatewayDevice.WANDevice.5.WANConnectionDevice.1.WANPPPConnection.1.Enable"
```

Ok

```
(acs-profile-name='test')delete property "InternetGatewayDevice.WANDevice.5.WANConnectionDevice.1.WANPPPConnection.1.ConnectionType"
```

Ok

И т.д.

Добавить правила:

```
set property "InternetGatewayDevice.WANDevice.5.WANConnectionDevice.1.WANIPConnection.1.Enable" "TRUE"  
set property "InternetGatewayDevice.WANDevice.5.WANConnectionDevice.1.WANIPConnection.1.ConnectionType" "IP_Bridged"  
set property "InternetGatewayDevice.WANDevice.5.WANConnectionDevice.1.WANIPConnection.1.Name" "veip0"  
set property "InternetGatewayDevice.WANDevice.5.WANConnectionDevice.1.WANIPConnection.1.X_BROADCOM_COM_ConnectionId" "1"  
set property "InternetGatewayDevice.WANDevice.5.WANConnectionDevice.1.WANIPConnection.1.X_BROADCOM_COM_IfName" "veip0.1"  
set property "InternetGatewayDevice.WANDevice.5.WANConnectionDevice.1.WANIPConnection.1.X_BROADCOM_COM_VlanMux8021p" "0"  
set property "InternetGatewayDevice.WANDevice.5.WANConnectionDevice.1.WANIPConnection.1.X_BROADCOM_COM_VlanMuxID" "2149"
```

Изменить указанные:

```
set property "InternetGatewayDevice.Layer2Bridging.Filter.10.FilterInterfaceName" "ppp0.1"  
set property "InternetGatewayDevice.X_BROADCOM_COM_NetworkConfig.DNSIfName" "ppp0.1,veip1.1"
```

На следующие:

```
set property "InternetGatewayDevice.Layer2Bridging.Filter.10.FilterInterfaceName" "veip0.1"  
set property "InternetGatewayDevice.Layer3Forwarding.X_BROADCOM_COM_DefaultConnectionServices" "veip0.1"  
set property "InternetGatewayDevice.X_BROADCOM_COM_NetworkConfig.DNSIfName" "veip1.1"
```

Далее следует отключить DHCP сервер, т.к. при режиме моста он будет вещать во внешнюю сеть, удалить правило:

```
set property "InternetGatewayDevice.LANDevice.1.LANHostConfigManagement.DHCPSEnable" "TRUE"
```

и удалить дефолтный шлюз

```
set property "InternetGatewayDevice.Layer3Forwarding.X_BROADCOM_COM_DefaultConnectionServices" "ppp0.1"
```

Необходимо также учитывать то, что в частных настройках пользователя могут находиться правила, конфигурирующие логин и пароль для сессии PPP, т.к. в режиме моста эти правила могут нарушить конфигурацию. В этом случае можно применить правило “делитер” - специальное правило, удаляющее из конфигурации устройства, целую ветку параметров. В данном случае полностью удаляется ветка PPP, чтобы правила для логина и пароля не внесли изменений в конфигурацию:

```
set property InternetGatewayDevice.WANDevice.5.WANConnectionDevice.1.WANPPPConnection.0.Deleter 0 nocheck
```

Создание профиля для NTP-RG без модуля Wi-Fi

Удалить строки:

```
set property "InternetGatewayDevice.Layer2Bridging.Filter.5.FilterEnable" "TRUE"  
set property "InternetGatewayDevice.Layer2Bridging.Filter.5.FilterBridgeReference" "0"  
set property "InternetGatewayDevice.Layer2Bridging.Filter.5.FilterInterfaceName" "wl0"  
set property "InternetGatewayDevice.Layer2Bridging.Filter.6.FilterEnable" "TRUE"  
set property "InternetGatewayDevice.Layer2Bridging.Filter.6.FilterInterfaceName" "wl0.1"  
set property "InternetGatewayDevice.Layer2Bridging.Filter.7.FilterEnable" "TRUE"  
set property "InternetGatewayDevice.Layer2Bridging.Filter.7.FilterInterfaceName" "wl0.2"  
set property "InternetGatewayDevice.Layer2Bridging.Filter.8.FilterEnable" "TRUE"  
set property "InternetGatewayDevice.Layer2Bridging.Filter.8.FilterInterfaceName" "wl0.3"
```

В следующих строках изменить номера фильтров так, чтобы они встали на место удаленных (т.е. 9 меняется на 5, 10 – на 6, 11 – на 7, 12 – на 8, 13 – на 9).

```
set property "InternetGatewayDevice.Layer2Bridging.Filter.9.FilterEnable" "TRUE"  
set property "InternetGatewayDevice.Layer2Bridging.Filter.9.FilterBridgeReference" "0"  
set property "InternetGatewayDevice.Layer2Bridging.Filter.9.FilterInterfaceName" "veip4.1"  
set property "InternetGatewayDevice.Layer2Bridging.Filter.10.FilterEnable" "TRUE"  
set property "InternetGatewayDevice.Layer2Bridging.Filter.10.FilterBridgeReference" "0"  
set property "InternetGatewayDevice.Layer2Bridging.Filter.10.FilterInterfaceName" "ppp0.1"  
set property "InternetGatewayDevice.Layer2Bridging.Filter.11.FilterEnable" "TRUE"  
set property "InternetGatewayDevice.Layer2Bridging.Filter.11.FilterBridgeReference" "1"  
set property "InternetGatewayDevice.Layer2Bridging.Filter.11.FilterInterfaceName" "veip1.1"  
set property "InternetGatewayDevice.Layer2Bridging.Filter.12.FilterEnable" "TRUE"  
set property "InternetGatewayDevice.Layer2Bridging.Filter.12.FilterBridgeReference" "0"  
set property "InternetGatewayDevice.Layer2Bridging.Filter.12.FilterInterfaceName" "veip2.1"  
set property "InternetGatewayDevice.Layer2Bridging.Filter.13.FilterEnable" "TRUE"  
set property "InternetGatewayDevice.Layer2Bridging.Filter.13.FilterBridgeReference" "2"  
set property "InternetGatewayDevice.Layer2Bridging.Filter.13.FilterInterfaceName" "veip3.1"
```

В результате:

```
set property "InternetGatewayDevice.Layer2Bridging.Filter.5.FilterEnable" "TRUE"  
set property "InternetGatewayDevice.Layer2Bridging.Filter.5.FilterBridgeReference" "0"  
set property "InternetGatewayDevice.Layer2Bridging.Filter.5.FilterInterfaceName" "veip4.1"  
set property "InternetGatewayDevice.Layer2Bridging.Filter.6.FilterEnable" "TRUE"  
set property "InternetGatewayDevice.Layer2Bridging.Filter.6.FilterBridgeReference" "0"  
set property "InternetGatewayDevice.Layer2Bridging.Filter.6.FilterInterfaceName" "ppp0.1"
```

```
set property "InternetGatewayDevice.Layer2Bridging.Filter.7.FilterEnable" "TRUE"
set property "InternetGatewayDevice.Layer2Bridging.Filter.7.FilterBridgeReference" "1"
set property "InternetGatewayDevice.Layer2Bridging.Filter.7.FilterInterfaceName" "veip1.1"
set property "InternetGatewayDevice.Layer2Bridging.Filter.8.FilterEnable" "TRUE"
set property "InternetGatewayDevice.Layer2Bridging.Filter.8.FilterBridgeReference" "0"
set property "InternetGatewayDevice.Layer2Bridging.Filter.8.FilterInterfaceName" "veip2.1"
set property "InternetGatewayDevice.Layer2Bridging.Filter.9.FilterEnable" "TRUE"
set property "InternetGatewayDevice.Layer2Bridging.Filter.9.FilterBridgeReference" "2"
set property "InternetGatewayDevice.Layer2Bridging.Filter.9.FilterInterfaceName" "veip3.1"
```

Выключение услуги VoIP

Полное удаление сервиса VoIP (все фильтры, WAN интерфейсы и т.п.) повлечет за собой переконфигурирование профилей на стационарных устройствах, что неудобно. Поэтому необходимо исключить услугу методом «зануления» VLAN услуги с помощью отключения DHCP клиента, а также удаления непосредственно настроек телефонии.

Удалить строки:

```
set property "InternetGatewayDevice.LANDevice.2.LANHostConfigManagement.IPInterface.1.IPInterfaceAddressingType" "DHCP"
set property "InternetGatewayDevice.WANDevice.5.WANConnectionDevice.2.WANIPConnection.1.AddressingType" "DHCP"
set property "InternetGatewayDevice.Services.VoiceService.1.X_BROADCOM_COM_BoundIfName" "br1"
set property "InternetGatewayDevice.Services.VoiceService.1.VoiceProfile.1.Enable" "Enabled"
set property "InternetGatewayDevice.Services.VoiceService.1.VoiceProfile.1.Region" "RU"
set property "InternetGatewayDevice.Services.VoiceService.1.VoiceProfile.1.DigitMap" "x.t"
```

Заменить строки:

```
set property "InternetGatewayDevice.WANDevice.5.WANConnectionDevice.2.WANIPConnection.1.X_BROADCOM_COM_VlanMuxID" "3149"
set property "InternetGatewayDevice.X_BROADCOM_COM_NetworkConfig.DNSIfName" "ppp0.1,veip1.1"
```

На следующие:

```
set property "InternetGatewayDevice.WANDevice.5.WANConnectionDevice.2.WANIPConnection.1.X_BROADCOM_COM_VlanMuxID" "3149"
set property "InternetGatewayDevice.X_BROADCOM_COM_NetworkConfig.DNSIfName" "ppp0.1"
```

1.4 Таблица дополнительных правил, возможных при формировании конфигурации

Действие	Правило
Смена пароля для входа в WEB под admin	set property "InternetGatewayDevice.X_BROADCOM_COM_LoginCfg.AdminPassword" "password"
Разрешение пользователю изменения настроек PPPoE	set property "InternetGatewayDevice.WANDevice.5.WANConnectionDevice.1.WANPPPConnection.1.X_BROADCOM_COM_UserDefinedAuthData" "TRUE" nocheck
Разрешение пользователю изменения настроек VoIP	set property "InternetGatewayDevice.Services.VoiceService.1.X_BROADCOM_COM_UserDefinedData" "TRUE" nocheck
Включение q-in-q на WAN интерфейсе	set property "InternetGatewayDevice.WANDevice.5.WANConnectionDevice.4.WANIPConnection.1.X_BROADCOM_COM_VlanQinQEnabled" "TRUE"
Активация NAT	set property "InternetGatewayDevice.WANDevice.5.WANConnectionDevice.1.WANPPPConnection.1.PortMapping.1.PortMappingEnabled" "TRUE"

<p>Внешний начальный порт (в данном случае 8080) - начальный порт из пробрасываемого диапазона, в котором приходят пакеты от провайдера на NTP</p>	<pre>set property "InternetGatewayDevice.WANDevice.5.WANConnectionDevice.1.WANPPPConnecti on.1.PortMapping.1.ExternalPort" "8080"</pre>
<p>Внешний конечный порт (в данном случае 8081) - конечный порт из пробрасываемого диапазона, в котором приходят пакеты от провайдера на NTP</p>	<pre>set property "InternetGatewayDevice.WANDevice.5.WANConnectionDevice.1.WANPPPConnecti on.1.PortMapping.1.X_BROADCOM_COM_ExternalPortEnd" "8081"</pre>
<p>Внутренний начальный порт (в данном случае 8080) - начальный порт диапазона, в который пробрасываются внешние порты и в котором пакеты из NTP уходят к пользователю</p>	<pre>set property "InternetGatewayDevice.WANDevice.5.WANConnectionDevice.1.WANPPPConnecti on.1.PortMapping.1.InternalPort" "8080"</pre>
<p>Внутренний конечный порт (в данном случае 8081) - конечный порт диапазона, в который пробрасываются внешние порты и в котором пакеты из NTP уходят к пользователю</p>	<pre>set property "InternetGatewayDevice.WANDevice.5.WANConnectionDevice.1.WANPPPConnecti on.1.PortMapping.1.X_BROADCOM_COM_InternalPortEnd" "8081"</pre>
<p>Тип пробрасываемого протокола 4 уровня (в данном случае одновременно пробрасываются TCP и UDP).</p> <p>Возможные значения: "TCP or UDP", "TCP", "UDP".</p>	<pre>set property "InternetGatewayDevice.WANDevice.5.WANConnectionDevice.1.WANPPPConnecti on.1.PortMapping.1.PortMappingProtocol" "TCP or UDP"</pre>
<p>Адрес локального компьютера в сети абонента, на который пробрасываются порты (в данном случае 192.168.1.2)</p>	<pre>set property "InternetGatewayDevice.WANDevice.5.WANConnectionDevice.1.WANPPPConnecti on.1.PortMapping.1.InternalClient" "192.168.1.2"</pre>
<p>Название правила NAT (в данном случае Peers).</p>	<pre>set property "InternetGatewayDevice.WANDevice.5.WANConnectionDevice.1.WANPPPConnecti on.1.PortMapping.1.PortMappingDescription" "Peers"</pre>
<p>DMZ</p>	<pre>set property "InternetGatewayDevice.X_BROADCOM_COM_SecDmzHostCfg.IPAddress" "192.168.1.2"</pre>

Активация Queue Management Configuration	set property "InternetGatewayDevice.QueueManagement.Enable" "TRUE"
Установка дефолтной очереди. 4294967295 - наибольшее число в 4-байтовом диапазоне, выделенном под очередь	set property "InternetGatewayDevice.QueueManagement.DefaultQueue" "4294967295"
Установка уровня качества DSCP	set property "InternetGatewayDevice.QueueManagement.DefaultDSCPMark" "112"
Включение брандмауэра	set property "InternetGatewayDevice.WANDevice.5.WANConnectionDevice.1.WANPPPConnection.1.X_BROADCOM_COM_FirewallEnabled" "TRUE"
Логин PPP соединения	set property "InternetGatewayDevice.WANDevice.5.WANConnectionDevice.1.WANPPPConnection.1.Username" "fttx0800-129-370"
Пароль PPP соединения.	set property "InternetGatewayDevice.WANDevice.5.WANConnectionDevice.1.WANPPPConnection.1.Password" "sdfs23c2"
Включение Wi-Fi	set property "InternetGatewayDevice.LANDevice.1.WLANConfiguration.1.Enable" "TRUE"